

Embedded Systems

NEW

VIA

ARTiGO A1100

ARTiGO Barebone System with EPIA-P820 Embedded Board, Supporting HDMI, VGA, HD Audio, 4 USB Host/1 USB Device, & GbE LAN

Features

- Built with VIA Nano™ processor based EPIA-P820 embedded board
- Integrated VIA Chrome9™ 3D/2D AGP graphics with MPEG-2/4, WMV9 & H.264 video decoding acceleration
- One DDR2 533/667/800 200-pin, SDRAM SODIMM socket
- One Gigabit Ethernet
- One USB device port with user friendly software utility for quick data transmission
- Supports one 2.5" SATA HDD drive bay
- Optional support one SD card slot
- Space saving, ultra compact design and low power consumption

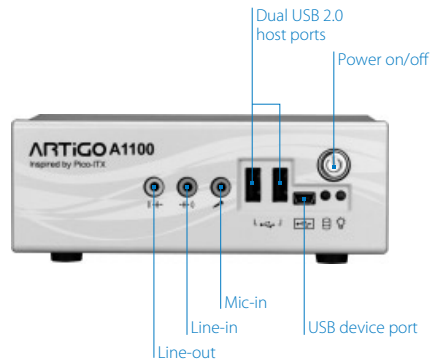


Specifications

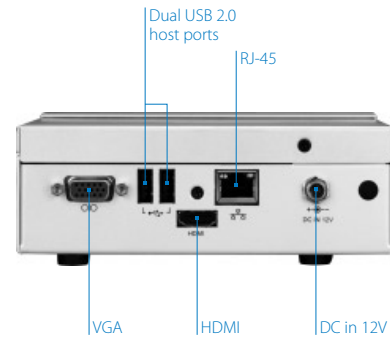
Part Number	ATG-A1100-1N12A1	
Computing System	Processor	1.2GHz VIA Nano™
	Front Side Bus	800 MHz
	L2 Cache	1MB
	Chipset	VIA VX855 Unified Digital IGP chipset
	BIOS	AMI 4 MBit LPC Flash BIOS
	System Power Management	Timer Power-on ACPI supported
Memory	Technology	1 x DDR2 533/667/800 200-pin, SDRAM SODIMM socket
	Max. Capacity	Up to 2GB memory size
Graphic	Controller	Integrated VIA Chrome9™ HCM DX9 3D/2D Graphics & Video processor with MPEG-2/4, WMV9 & H.264 video decoding acceleration
	Display Memory	Optimized Shared Memory Architecture, supports up to 256 MB frame buffer using system memory
	CRT Interface	1 x External VGA port by a DB-9 connector Resolution supports up to 1920 x 1200 Pixel
	HDMI Interface	1 x Onboard HDMI port connector
	Dual View	Dual independent display of CRT & HDMI at same resolutions, pixel depths, and refresh rates
Ethernet	Controller	Onboard VIA VT6122 Gigabit Ethernet controllers
	Interface	1 x RJ-45 connector Supports Wake-on LAN (WOL)
HD Audio	Controller	VIA VT1708S High Definition Audio Codec
	Interface	3 x 3.5Φ Audio jacks support Line-out, Line-in, and Mic-in
Serial	USB Host	4 x USB ports, USB 2.0 compliant
	USB Device	1 x USB device port
Storage	Flash Disk On Module (DOM)	1 x Driver bay space support IDE interface of Flash Disk On Module (DOM)
	HDD	1 x 2.5" drive bay space support 2.5" SATA interface HDD or Flash SSD
	SD	Reserve space for optional support of 1 SD card Comply with 480 Mbps universal serial bus specification rev. 2.0. MMC system specification 4.2, SD memory card specification 2.0, SDHC memory card, Micro SD
System Indicator	Power Status LED	1 x Green color LED
	HDD Activity LED	1 x Red color LED
Watch Dog Timer	Output	System reset
	Interval	Programmable 1~255 sec



Front Panel External IO



Rear Panel External IO



Specifications

Part Number	ATG-A1100-1N12A1	
Front Panel External I/O connectors	USB Host	2 x USB 2.0 host port min-DIN connectors
	USB Client	1 x USB 2.0 client port by one micro USB connector
	Audio Line-out	1 x 3.5Φ audio jack as Line-out (green color)
	Audio Line-in	1 x 3.5Φ audio jack as Line-in (blue color)
	Audio Mic-in	1 x 3.5Φ audio jack as Mic-in (pink color)
Rear Panel External I/O Connectors	VGA	1 x VGA port by a D-Sub 15-pin connector
	USB Host	2 x USB 2.0 host port min-DIN connectors
	Gigabit Ethernet	1 x RJ-45 connector support Gigabit Ethernet connection
	HDMI	1 x HDMI connector
Left Panel External I/O Connectors	SD Slot	Optional one SD card slot
Power Supply	Power Consumption	Maximum 20.72 w; typical 12.84 w
	Input Voltage	Accepts power input of DC 12V Typical power input 12 VDC @ 1.07 A
	Power Input Connector	DC power input connector by DC jack connector
	System Monitoring & Management	Wake-on LAN, Keyboard Power-on, Timer Power-on System power management, AC power failure recovery Watch Dog Timer
	Fuse Rating	7A @ 125V
Mechanical	Construction	Aluminum top chassis housing Aluminum chassis housing Front removable aluminum plate
	Mounting	Optional wall/VESA mounting bracket
	Dimensions (W x H x D)	146 mm (W) x 52 mm (H) x 99 mm (D)
	Weight	0.6 kg (1.32 lbs)
	Environmental Specification	Operating Temperature
Storage Temperature		-10°C ~ 60 °C
Relative Humidity		0 ~ 90% @ 45°C, non-condensing
Vibration Loading During Operation		0.6Grms, IEC 60068-2-64, random, 5 ~ 500Hz, 1 Oct./min, 1hr/axis
Shock During Operation		20G, IEC 60068-2-27, half size, 11ms duration
EMC Approved		CE, FCC Class B
Operation System		Microsoft Widows XP, Windows 7, Windows XP Embedded, Linux MID Edition
Software Compatibility		

Ordering Information

Part Number	System Built-in CPU	Description
ATG-A1100-1N12A1	1.2 GHz Nano™	1.2 GHz Nano™ CPU Based Embedded System, with VGA, HDMI, 4 x USB 2.0, 1 x GbE LAN, HD Audio Line-out, Line-in, Mic-in, DC-in 12V, AC/DC adapter, US power cord
ATG-A1100-2N12A1	1.2GHz Nano™	1.2 GHz Nano™ CPU Based Embedded System, with VGA, HDMI, 4 x USB 2.0, 1 x GbE LAN, HD Audio Line-out, Line-in, Mic-in, DC-in 12V, AC/DC adapter, EU power cord

Optional Accessories

Power Cord	
Part Number	Description
99G33-02034C	Power cord with PSE mark, 180 cm for Japan market
99G33-02033C	Power cord, 180 cm, Europe type
99G33-02031C	Power cord, 180 cm, UK type

SD Card Reader	
Part Number	Description
EMIO-5130-00A1	1 x Slot SD card reader

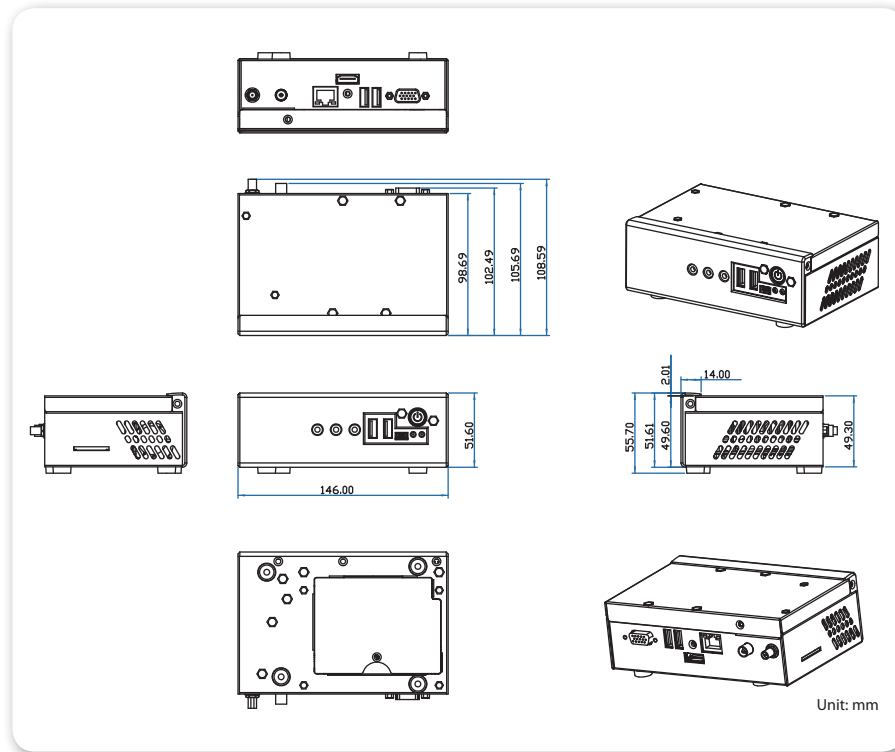
WLAN Module	
Part Number	Description
EMIO-1530-80A1	802.11 b/g Wireless LAN USB module for USA
EMIO-1530-90A1	802.11 b/g Wireless LAN USB module for Europe

RAM Module, Flash Disk, and 2.5" Hard Disk Drive	
Part Number	Description
99G06-010598	2GB DDR2 800MHz, 128Mx8 SDRAM SODIMM, Tc of 0 ~ 85°C
99G06-010588	1GB DDR2 800MHz, 128Mx8 SDRAM SODIMM, Tc of 0 ~ 85°C
99G61-050173	1GB, IDE 44-pin Flash Disk On Module(DOM), Tc of 0°C ~ 70°C , w/ housing
99G61-050183	2GB, IDE 44-pin Flash Disk On Module(DOM), Tc of 0°C ~ 70°C , w/ housing
99G61-050193	4GB, IDE 44-pin Flash Disk On Module(DOM), Tc of 0°C ~ 70°C , w/ housing
99G61-020114	250GB, Fujitsu 2.5" SATA HDD 5400RPM

Embedded OS (Only available for T-Parts OEM service)	
Part Number	Description
POS-MXPELI-ENS07	Windows XP Embedded SP3 OS image and license, English version
VOS-UMELXI-ENS07	Linux, MID Edition, OS image only , English Version

Mounting Bracket	
Part Number	Description
ATG-A1100-1WWZA1	ARTiGO A1100 Wall/VESA mount dual function mounting bracket

Dimensions



Packing List

- 1 x ARTiGO A1100 system
- 1 x Driver & Utility CD disk
- 1 x AC-to-DC adapter, DC 12V/5A, 60W
- 1 x Power cable, 180 cm, USA type